



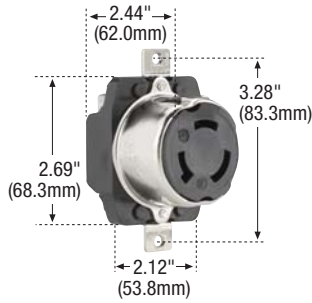
Marine Grade Locking Devices

2 Pole, 3 Wire Grounding,
50A 125V
3 Pole, 4 Wire Grounding,
50A, 125V/250V

50A Marine Ship-to-Shore Single Receptacle

FEATURES

- Body consists of rugged glass reinforced nylon.
- Rugged metal shells and housings consist of corrosion resistant stainless steel.
- Straps, terminals and contacts made from nickel plated brass for corrosion resistance.



63CR70

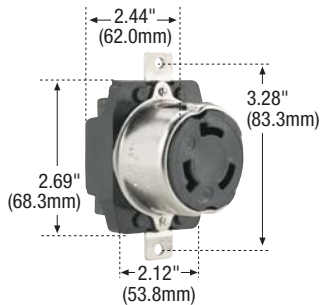
Receptacle

| Rating A | V/AC | Wiring Configuration | Description | Color | Catalog No. |
|----------|---------|----------------------|-------------|-------|-------------|
| 50 | 125 | 2 Pole, 3 Wire | Single | Black | 63CR70 |
| 50 | 125/250 | 3 Pole, 4 Wire | Single | Black | 63CR69 |

50A Armored Marine Ship-to-Shore Locking Plugs and Connectors

FEATURES

- Internal construction consists of rugged glass reinforced nylon.
- Rugged metal shells and housings consist of corrosion resistant stainless steel.
- Metal cable clamp provides for large range of cable sizes and durable strain relief.
- Back wired for quick and dependable conductor termination.
- Large terminal lugs with serrated contact area for superior terminations
- Terminal lugs designed for #6 wire.
- Deep, tapered wire wells for positive conductor isolation.



63CR69

Plugs & Connectors

| Rating A | V/AC | Wiring Configuration | Cord Diameter | Catalog No. | |
|----------|---------|----------------------|------------------------------------|-------------|-----------|
| | | | | Plug | Connector |
| 50 | 125 | 2 Pole, 3 Wire | 0.680"-1.125" (17.27mm-28.57mm) | 63CR61 | 63CR60 |
| 50 | 125/250 | 3 Pole, 4 Wire | 0.680"-1.125" (17.27mm-28.57mm) | 63CR65 | 63CR64 |

INDUSTRIAL
COMMERCIAL
RESIDENTIAL

M-19 CORROSION RESISTANT & MARINE GRADE PRODUCTS

TESTING & CODE COMPLIANCE

- Listed to UL 498: Receptacles (file no. E2369) Plugs & Connectors (file no. E3663).
- Receptacles: CSA Certified to C22.2 no.42 (file no. LR7087).
- Plugs: cUL listed to CSA C22.2 no. 42 (file no. E3663).

MATERIAL CHARACTERISTICS

Glass filled Nylon and Stainless Steel.
Environmental:
Flammability per UL 94 requirements,
Receptacles V0 rated.
Temperature Rating:
-40°C to 105°C.



RECEPTACLE
63CR70



PLUG
63CR61



RECEPTACLE
63CR69



PLUG
63CR65

Marine Grade Locking Devices

2 Pole, 3 Wire Grounding, 50A 125V
 3 Pole, 4 Wire Grounding 50A 125V/250V
 NEMA L5-20, 20A 125V
 NEMA L5-30, 30A 125V



50A Nylon Marine Ship-to-Shore Locking Plugs and Connectors

FEATURES

- High impact-resistant nylon housing withstands even the toughest applications.
- Internal construction consists of rugged glass reinforced nylon.
- Tapered shell minimizes snagging.
- Neoprene gland seals entry of dirt and moisture into device interiors for consistent performance.
- Available with internal or external cable clamp.
- Back wired for quick and dependable conductor termination.
- Terminal lugs designed for #6 wire.
- Deep, tapered wire wells for positive conductor isolation.

Plug and Connector With Internal Cable Clamp

| Rating A | V/AC | Wiring Configuration | Cord Diameter | Color | Catalog No. | |
|-------------|---------|-------------------------|------------------------------------|--------|-------------|-----------|
| | | | | | Plug | Connector |
| 50 | 125 | 2 Pole, 3 Wire | 0.680"-1.125" (17.27mm-28.57mm) | Yellow | 63CR61N | 63CR60N |
| 50 | 125/250 | 3 Pole, 4 Wire | 0.680"-1.125" (17.27mm-28.57mm) | Yellow | 63CR65N | 63CR64N |

Plug and Connector with External Cable Clamp

| Rating A | V/AC | Wiring Configuration | Cord Diameter | Color | Catalog No. | |
|-------------|---------|-------------------------|------------------------------------|--------|-------------|-----------|
| | | | | | Plug | Connector |
| 50 | 125 | 2 Pole, 3 Wire | 0.680"-1.125" (17.27mm-28.57mm) | Yellow | 63CR61E | 63CR60E |
| 50 | 125/250 | 3 Pole, 4 Wire | 0.680"-1.125" (17.27mm-28.57mm) | Yellow | 63CR65E | 63CR64E |

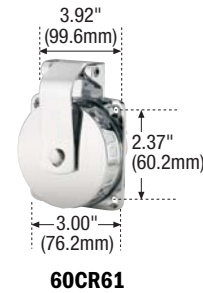
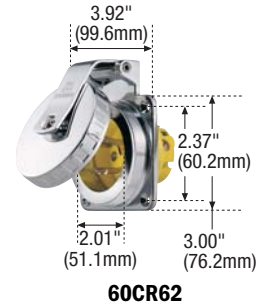
20, 30 and 50A Chrome Plated Hull Inlets

FEATURES

- Hinge, cover and flange chrome plated brass.
- Glass filled nylon interior resists breakage.
- Designed for flush mounting.

Hull Inlet

| Rating A | V/AC | NEMA | Description | Catalog No. |
|-------------|---------|--------|---------------------------------------|-------------|
| | | | | |
| 30 | 125 | L5-30 | Chrome plated forged brass hull inlet | 60CR61 |
| 50 | 125 | Marine | Chrome plated forged brass hull inlet | 63CR72 |
| 50 | 125/250 | Marine | Chrome plated forged brass hull inlet | 63CR74 |



INDUSTRIAL
 COMMERCIAL
 RESIDENTIAL

M-20
 CORROSION
 RESISTANT &
 MARINE GRADE
 PRODUCTS

TESTING & CODE COMPLIANCE

- Listed to UL 498
- cUL certified to CSA C22.2 no. 42 (file no. E3663)

MATERIAL CHARACTERISTICS

Plugs and Connectors: Nylon and glass filled nylon.
 Inlets: Glass filled nylon and chrome-plated brass
 Temperature Rating:
 Plugs and Connectors:
 -40°C to 105°C.
 Hull Inlets:
 -40°C to 105°C.

